

Part Number: PT767-35162

Kit Contents

Item #	Quantity Req.	Description
1	1	Divider Screen
2	1	LH Bracket with Warning Label
3	1	RH Bracket without Warning Label

Hardware Bag Contents

Item #	Quantity Req.	Description
1	4	Knob
2	2	Clamp Plate
3	2	M8 Sq Head Bolt

Additional Items Required For Installation

Item #	Quantity Req.	Description
1		
2		
3		

Conflicts

Camper Shell

Recommended Tools

Personal & Vehicle Protection	Notes
None	
Special Tools	Notes
None	
Installation Tools	Notes
None	
Special Chemicals	Notes
None	

General Applicability

All Models

Recommended Sequence of Application






Item #	Accessory
1	
2	
3	

*Mandatory

Vehicle Service Parts (may be required for reassembly)

Item #	Quantity Req.	Description
1		
2		
3		

Legend

	STOP: Damage to the vehicle may occur. Do not proceed until process has been complied with.
	OPERATOR SAFETY: Use caution to avoid risk of injury.
	CAUTION: A process that must be carefully observed in order to reduce the risk of damage to the accessory/vehicle and to ensure a quality installation.
	TOOLS & EQUIPMENT: Used in Figures calls out the specific tools and equipment recommended for this process.
	REVISION MARK: This mark highlights a change in installation with respect to previous issue.

Care must be taken when installing this accessory to ensure damage does not occur to the vehicle. The installation of this accessory should follow approved guidelines to ensure a quality installation.

These guidelines can be found in the "Accessory Installation Practices" document.

This document covers such items as:-

- Vehicle Protection (use of covers and blankets, cleaning chemicals, etc.).
- Safety (eye protection, rechecking torque procedure, etc.).
- Vehicle Disassembly/Reassembly (panel removal, part storage, etc.).
- Electrical Component Disassembly/Reassembly (battery disconnection, connector removal, etc.).

Please see your Toyota dealer for a copy of this document.

1. Install the Brackets.

- (a) Remove the end caps from the back of each vehicle bed side rail (Fig. 1-1).

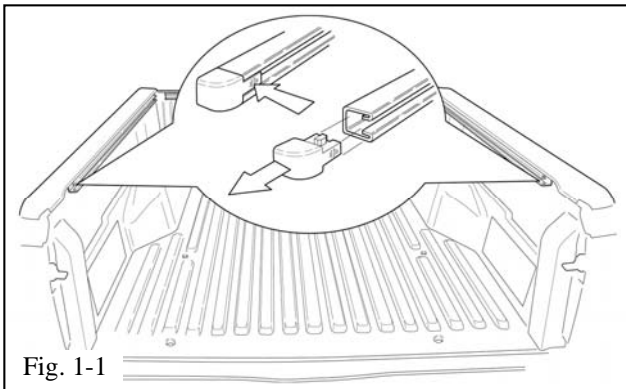


Fig. 1-1

- (b) Slide one clamp plate into each side rail (Fig. 1-2).

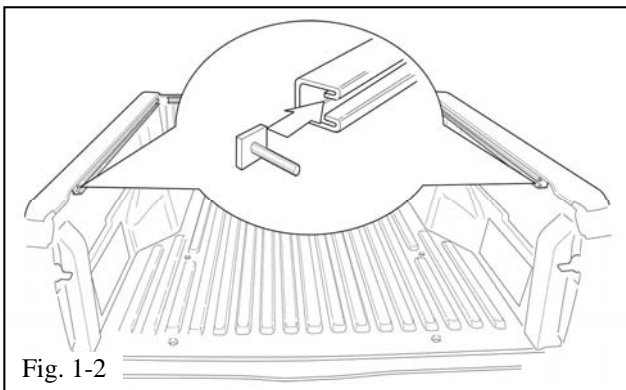


Fig. 1-2

- (c) Install the LH Bracket (with the WARNING label) onto the LH clamp plate threaded stud (Fig. 1-3).

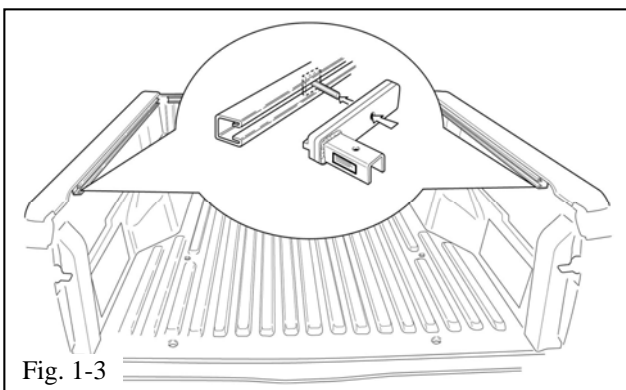
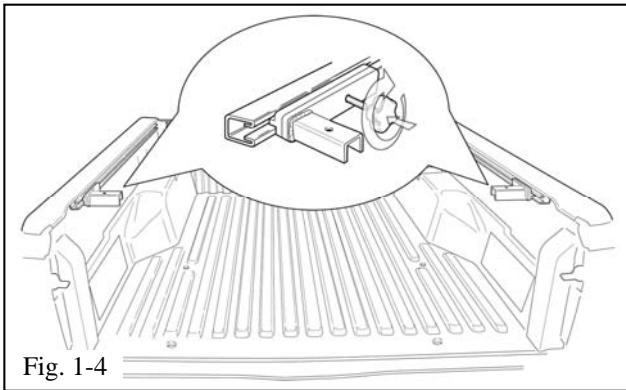
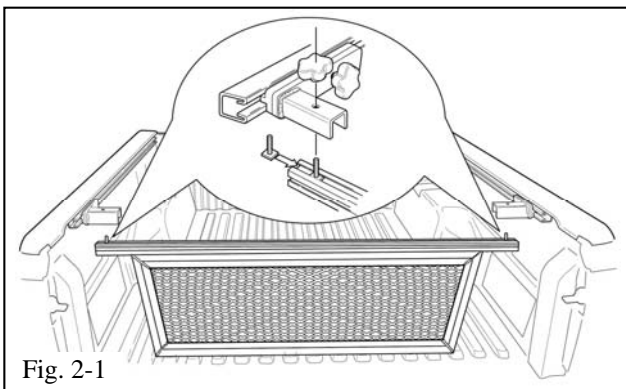


Fig. 1-3

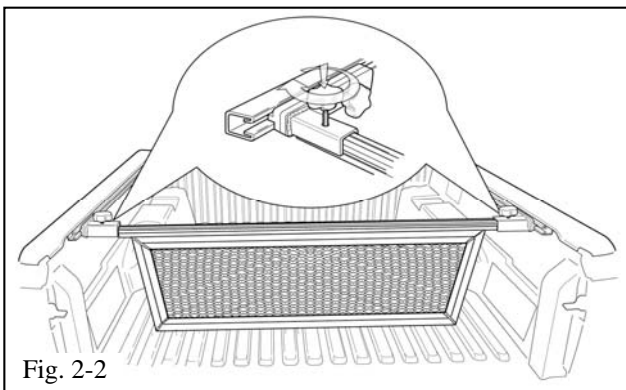


- (d) Screw a knob onto the clamp plate threaded stud. Do not completely tighten the knob. Leave it loose enough so that the bracket can still be moved fore and aft on the side rail (Fig. 1-4).
- (e) Repeat Steps 1(c) & 1(d) for the RH bracket.

2. Install the Divider Screen.



- (a) With the divider screen standing vertical in the rear of the bed behind the brackets, insert an M8 square head bolt into each end of the slot on the cross screen extrusion. Slide each bolt in approximately 6" from the extrusion end (Fig. 2-1).



- (b) Tilt the top of the divider screen slightly forward to locate the screen up into the brackets. As each end of the screen is lifted up into position, slide the M8 bolts over until they align with the hole in the bracket. Screw a knob onto each M8 bolt. Do not completely tighten the knobs (Fig. 2-2).
- (c) Reinstall the two end caps removed in Step 1(a).
- (d) The vehicle bed side rails have internal stop detents every four inches. With all knobs loose, slide the screen/bracket assembly fore or aft to the desired location. As one of the side knobs are tightened, continue to slide the bracket fore and aft until the clamp plate locks into one of the rail stop detents. Tighten the knob and repeat on the other side. Finally, tighten the two top knobs.

TOYOTA TACOMA 2012 - BED CARGO DIVIDER
 Checklist - these points **MUST** be checked to ensure a quality installation.

Check:	Look For:
<p><u>Accessory Function Checks</u></p> <p><input type="checkbox"/> The divider is securely installed</p> <p><input type="checkbox"/></p> <p><input type="checkbox"/></p>	<p>Verify that all four knobs are hand tight and the screen/bracket assembly will not slide in the vehicle bed rails.</p>
<p><u>Vehicle Function Checks</u></p> <p><input type="checkbox"/></p> <p><input type="checkbox"/></p> <p><input type="checkbox"/></p>	
<p><u>Vehicle Appearance Check</u></p> <p><input type="checkbox"/> After accessory installation and removal of protective cover(s), perform a visual inspection.</p>	<p>Ensure no damage (including scuffs and scratches) was caused during the installation process. (For PPO installations, refer to TMS Accessory Quality Shipping Standard.)</p>